

# SAMPLE PAPER CIVIL WORKS TECH

## ENGLISH

Choose the best option, from the given choices below each sentence.

1. Land where crops grow well is called \_\_\_\_\_.

- A) arid
- B) barren
- C) fertile
- D) poor

2. Aslam is elder \_\_\_\_\_ Sara.

- A) as
- B) that
- C) of
- D) than

3. I have a claim \_\_\_\_\_ my friend's help.

- A) for
- B) in
- C) on
- D) at

Each question below consists of a related pair of words, followed by five lettered pairs of words. Select the lettered pair that best expresses a relationship similar to that expressed in the original pair.

4. **PHYSICS: SCIENCE::**

- A) chemistry: laboratory
- B) astronomy: galaxy
- C) fashion: style
- D) fir: tree

Choose the lettered word or phrase that is most nearly opposite in meaning to the word in capital letters.

5. **USUAL:**

- A) greedy
- B) strange
- C) brief
- D) fortunate

6. **FIXED:**

- A) countable
- B) flat
- C) changing
- D) rigid

Read the following passage to answer question (7-8)

The Big Bang theory, an explanation of the origins of our universe, is one of the greatest intellectual achievements of the twentieth century. According to this theory, about ten to twenty million years ago, the matter of which the universe is made was infinitely tightly compressed. Something—called the Big Bang—turned this matter into a gigantic fireball. As the matter was set into motion and flew away from its compressed state, bits of it became glued together to create galaxies and later, stars and planets. The motion of the matter that flew out of the fireball continues today, and the universe appears to be expanding. The theory grew out of observations of the Doppler effect. It explains that the frequency of radiation given off by a moving body decreases as the sources get further from the observer. In 1965, scientists discovered that the radiation bathing the earth is at the precise microwave frequency that would be expected if the universe began with a big bang. Some scientists think the expansion of the universe will continue to infinity, while others theorize that gravity will, at some point in the far distant future, collapse back onto itself in a "big crunch," returning it to a state of compressed matter.

7. As a moving object gets further from its source, its radiation frequency:

- A) stays the same
- B) grows larger
- C) grows smaller
- D) expands
- E) collapse

8. The author of this passage thinks the Big Bang theory:

- A) has not been proven
- B) does not explain the creation of the universe
- C) is a very important contribution to knowledge
- D) explains what happens when a moving body gets further from its source
- E) shows the frequency of radiation bathing the earth

## ANALYTICAL REASONING

### Questions 9-12

Eight toys B, C and D (soft) and H, I, J, K and L (hard) are divided into four sets available to play for different groups of kids:

Two sets contain three toys apiece and each set is given to one of two pink groups.

A single toy is given to blue group.

A single toy is given to a yellow group.

Each set given to pink group must contain at least one soft toy.

B or C, but not both, are given to blue group.

L must be in the same set with J.

Each toy is given only once to one group for playing.

9. If C is given to pink group and J is not with it, which of the following must be true?

- A) C is in the same set as K.
- B) D is in the same set as L.
- C) H is in the same set as I.
- D) K is in a different set than H.
- E) I is in a different set than H.

10. If H and D are in the same set, all of the following can be true EXCEPT:

- A) B and I are in the same set.
- B) C and J are in the same set.
- C) D and K are in the same set.
- D) I is given to the yellow group.
- E) H and I are in the same set.

11. Which of the following may comprise a set given to a pink group?

- A) B, K, L
- B) C, I, K
- C) C, D, H
- D) D, H, J
- E) H, J, L

12. The yellow group could be given which of the following toys?

- A) B
- B) C
- C) D
- D) J
- E) K

**Recent surveys show that the layman is unaware of most new health laws and doesn't understand 99% of the remaining health laws. This is mainly because of the laymen's inattention and lack of interest.**

**13. To make the point, the author of this statement:**

- A) gives a general statement followed by supporting facts**
- B) argues by pointing out the effects and then the cause**
- C) uses specific examples to disprove an argument**
- D) infers an outcome and then attempts to support that outcome**
- E) assumes the conclusion is true and uses circular reasoning to state the premise**

## QUANTITATIVE

14. Which of these is NOT equal to  $\frac{4}{9}$ ?

A)  $\frac{2}{3}$

B)  $\frac{20}{45}$

C)  $\frac{8}{18}$

D)  $\frac{16}{36}$

15. A boy saves 18 Rupees in 8 weeks. He continues to save at the same rate. How many weeks will it take him to save 81 rupees?

A) 13

B) 36

C) 40

D) 71

16. If the average (arithmetic means) of  $a$  and  $-5$  is  $10$ , then  $a=?$

A) 25

B) 15

C) 5

D) -5

## IQ

17. If  $4=0$   
 $5=5$   
 $6=12$   
 $7=21$   
 $8=32$   
Then  $9=?$

- A) 27
- B) 36
- C) 45
- D) 54
- E) 63

18. If a man is called boy, boy is called baby, baby is called child, child is called cook and cook is called villain, then who will work in a kitchen?

- A) man
- B) cook
- C) villain
- D) baby
- E) boy

19. If  $20 - 4 = 10$ ,  $30 - 6 = 10$ , then  $40 - 8 = ?$

- A) 32
- B) 10
- C) 30
- D) 22

## SUBJECT

20. A piece of wood of sp gravity of 0.6 and 10 cm deep is floating in fresh water its immersed depth will be:

- A) 4cm
- B) 6cm
- C) 8cm
- D) 10cm

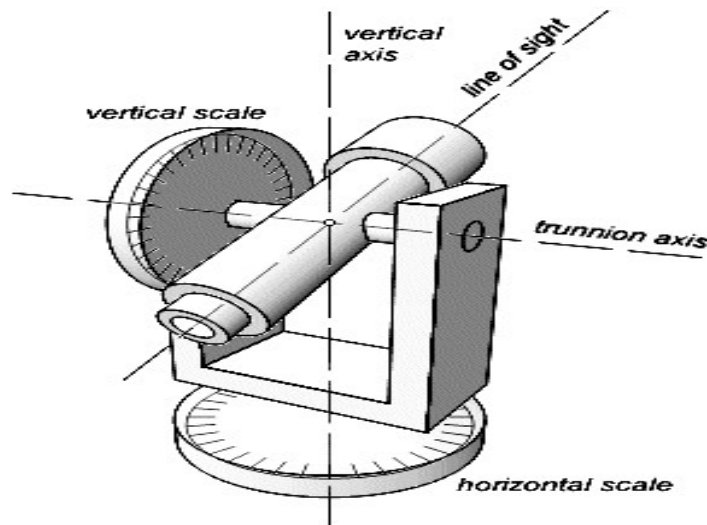
21. The channel that gives maximum discharge for a given cross sectional area and bed slope is:

- A) Most economical section
- B) Circular section
- C) Rectangular section
- D) Triangular section

22. \_\_\_\_\_ is the technique of estimating or determining the fair price or value of a property.

- A) Estimation
- B) Valuation
- C) Costing
- D) Analysis

23. The below given instrument is a:



- A) Theodolite
- B) Sextant
- C) Clinometer
- D) Compass

**24. Lampholes are also called as:**

- A) Fresh air inlet
- B) Clean out
- C) Catch basin
- D) Outlet

**25. Water hammer pressure in pressure pipes can be reduced by using:**

- A) Blow off valves
- B) Non return valves
- C) Pressure relief valves
- D) Scour valves

**26. Turbidity of water is the measure of resistance of water to the passage of \_\_\_\_\_ through it.**

- A) Sound
- B) Light
- C) Micro organisms
- D) Smell

**27. Which of the following soils has more plasticity index?**

- A) Sand
- B) Silt
- C) Clay
- D) Gravel

**28. Two important constituents in the composition of steel used for rail are:**

- A) Carbon and silicon
- B) Manganese and phosphorous
- C) Carbon and manganese
- D) Carbon and sulphur

**29. Strength of concrete increases with:**

- A) Increase in water-cement ratio
- B) Increase in fineness of cement
- C) Decrease in curing time
- D) Decrease in size of aggregate

**30. When a ship floats at its designed water line, the vertical distance from water line to the bottom of the ship is known as:**

- A) Beam
- B) Depth
- C) Freeboard
- D) Draft

**31. How many steps are, by direct method in which telescope is transmitted?**

- A) Eight**
- B) Seven**
- C) Six**
- D) Five**

**32. A column which fails by crushing of material:**

- A) Long column**
- B) Medium column**
- C) Short column**
- D) Pier**

**33. When a body is subjected to two equal and opposite pulls, as a result of which the body tends to extend its length, the stress and strain induced is called:**

- A) Tensile stress, tensile strain**
- B) Compressive stress, compressive strain**
- C) Shear stress, shear strain**
- D) Tensile stress, compressive strain**

**34. T-square/Parallel slide is used to draw:**

- A. Inclined lines**
- B. Vertical lines**
- C. Horizontal lines**
- D. None of the above**

**35. Which of the following is not an advantage of Bull's trench kiln?**

- A. Its gives continuous supply of bricks since all the operations-loading, drying, burning, cooling and unloading are carried out simultaneously and continuously**
- B. Its thermal efficiency is more, resulting in saving in the cost of fuel. This is so because the hot gases from the burning zone heat the bricks to be burned the next, before escaping through the chimneys**
- C. Drying space is saved since raw bricks (i.e. green bricks) can be loaded in it. These raw bricks are dried before being burned by hot air coming from the burning zone**
- D. It gives high percentage of first class bricks, the following being the out-turn of the kiln**
- E. It needs constant skilled supervision and operation**

**36. To get proper shape of stone which method is adopted:**

- A. Dressing**
- B. Heating**
- C. Throating**
- D. moulding**

**37. If all the dimensions of drawing will be placed in two directions the method will be:**

- A. Base line**
- B. Unidirectional**
- C. Aligned**
- D. None of the above**

**38. Deep foundations are classified into \_\_\_\_\_ types.**

- A. Six**
- B. Five**
- C. Four**
- D. Three**

## ANSWER KEY

Q #	ANSWER CHOICE
1	C
2	D
3	C
4	D
5	B
6	C
7	C
8	C
9	B
10	A
11	B
12	E
13	B
14	A
15	B
16	A
17	C
18	C
19	B
20	B
21	A
22	B
23	A
24	A
25	C
26	B
27	B
28	C
29	B
30	D
31	A
32	C
33	A
34	C
35	E
36	A
37	C
38	D